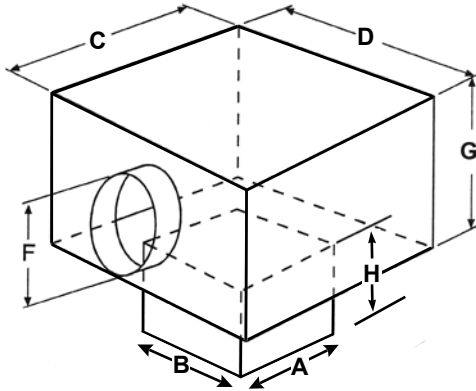




Air Distribution Corporation

Diffuser Connection Boot Transition DCBTR



Standard Construction

- 26 Gauge Galvanized Steel

Option Codes

- 1/2" Internal Insulation

DIMENSIONAL DATA

SIZE	A	B	C	D	G	H
6 X 6	6"	6"	A + 2"	B + 2"	F + 2"	2"
6 X 9	6"	9"	A + 2"	B + 2"	F + 2"	2"
9 X 9	9"	9"	A + 2"	B + 2"	F + 2"	2"
9 x 12	9"	12"	A + 2"	B + 2"	F + 2"	2"
12 X 12	12"	12"	A + 2"	B + 2"	F + 2"	2"
12 X 15	12"	15"	A + 2"	B + 2"	F + 2"	2"
15 X 15	15"	15"	A + 2"	B + 2"	F + 2"	2"
15 X 18	15"	18"	A + 2"	B + 2"	F + 2"	2"
18 X 18	18"	18"	A + 2"	B + 2"	F + 2"	2"

* "F" Dimension to be specified. Must be less than or equal to "D" Dimension

Units in Inches

Air Distribution Corporation reserves the right to change specifications, dimensions, and materials without notice.
www.Air-Distribution.com

MANUFACTURED BY: AIR DISTRIBUTION CORPORATION CANTON, MA

DWG NO.: