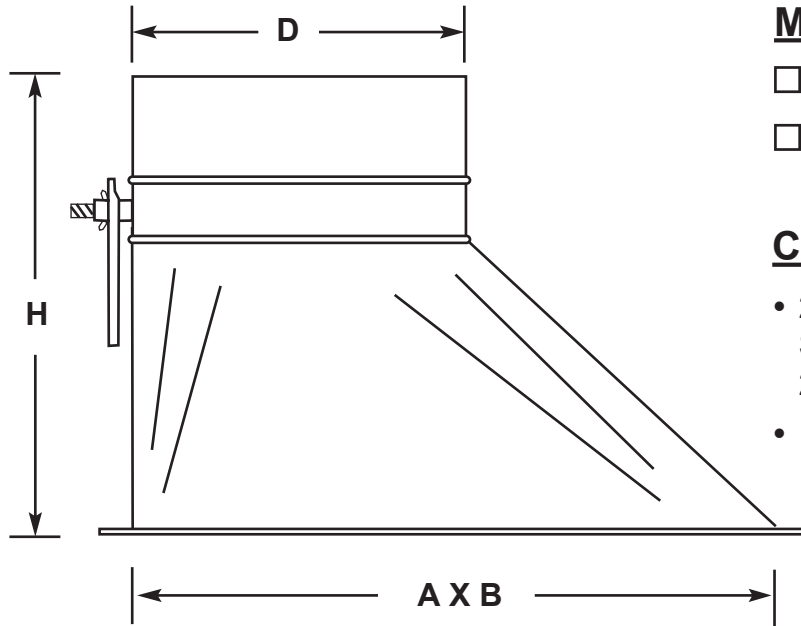




Air Distribution Corporation

Duct Takeoff Collar HET / HETD



Models

- HET - No Damper
- HETD - With Damper

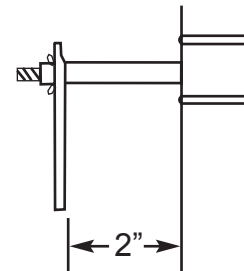
Construction

- 26 Gauge Galvanized Steel for Sizes 4" thru 16"
- 24 Gauge for Sizes 18" thru 26"
- .125 Double Stick Neoprene Gasket

D	A X B	H
4 DIA	10 X 5	11.5
5 DIA	10 X 5	11.5
6 DIA	12 X 6	11.5
7 DIA	12 X 6	11.5
8 DIA	12 X 6	11.5
9 DIA	15 X 6	12.5
10 DIA	16 X 6.75	12.5
12 DIA	18 X 8.5	12.5
14 DIA	20 X 9.5	12.5
16 DIA	24 X 12	16
18 DIA	28 X 16	16
20 DIA	28 X 16	16
22 DIA	34 X 20	16
24 DIA	34 X 20	16

Options

- 24 Gauge Construction
Model 24HET / 24HETD
- 2" Shaft Extension Handle
Model SHETD



Units in Inches

Air Distribution Corporation reserves the right to change specifications, dimensions, and materials without notice.
www.Air-Distribution.com

MANUFACTURED BY: AIR DISTRIBUTION CORPORATION CANTON, MA

DWG NO.: