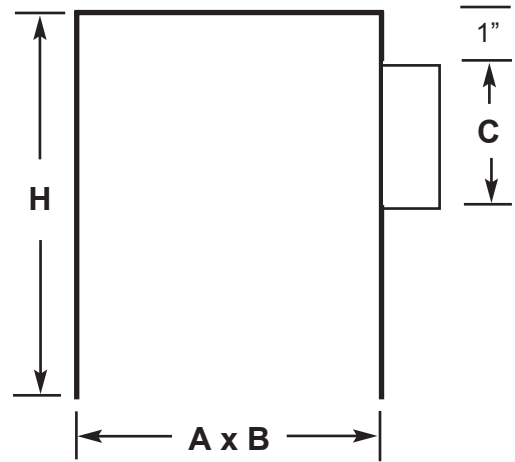
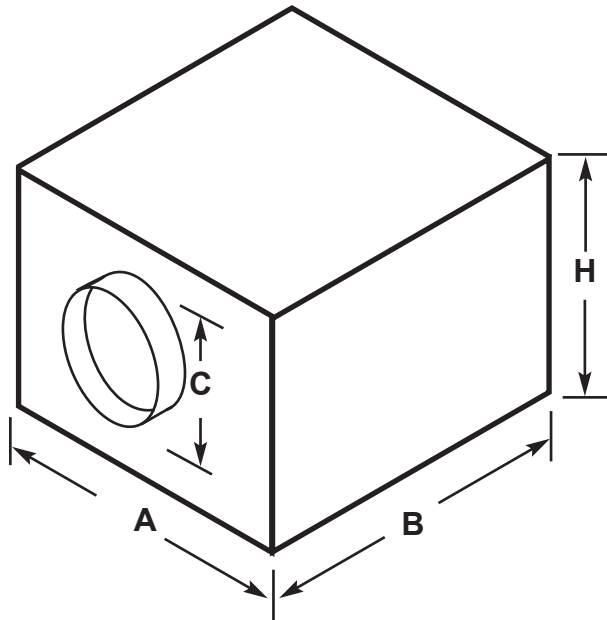




Air Distribution Corporation

# Side Inlet Boot SIB



## Standard Construction

- 26 Gauge Galvanized Steel
- 2 1/4" Collar Depth

## Option Codes

- IL - Internally Insulated
- CL - 1/2" Closed Cell Liner
- FL - Flanged Bottom

## Material Options

- Aluminum Construction  
Model ASIB

Units in Inches

Air Distribution Corporation reserves the right to change specifications, dimensions, and materials without notice.  
[www.Air-Distribution.com](http://www.Air-Distribution.com)

MANUFACTURED BY: AIR DISTRIBUTION CORPORATION CANTON, MA

DWG NO.: