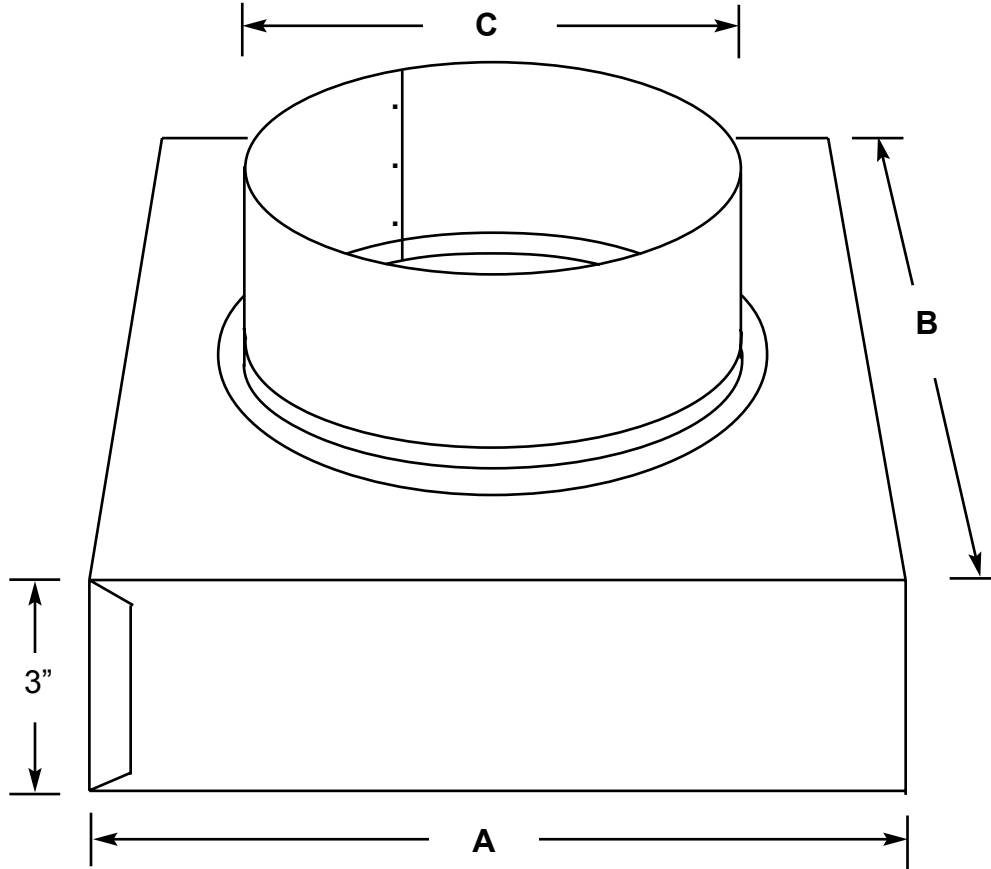




Air Distribution Corporation

# Transition SRAC



A & B are specified sizes.  
C = minus 1/8" from round diameter.

## Standard Construction

- 26 Gauge Galvanized Steel
- 3" Deep Box Height
- 2" Collar Height

## Option Codes

- Flanged Bottom 1" (Model SRAC-FL)
- Special Height = \_\_\_\_\_

## Material Options

- Aluminum Construction  
Model ASRAC

Units in Inches

Air Distribution Corporation reserves the right to change specifications, dimensions, and materials without notice.  
[www.Air-Distribution.com](http://www.Air-Distribution.com)

MANUFACTURED BY: AIR DISTRIBUTION CORPORATION CANTON, MA

DWG NO.: