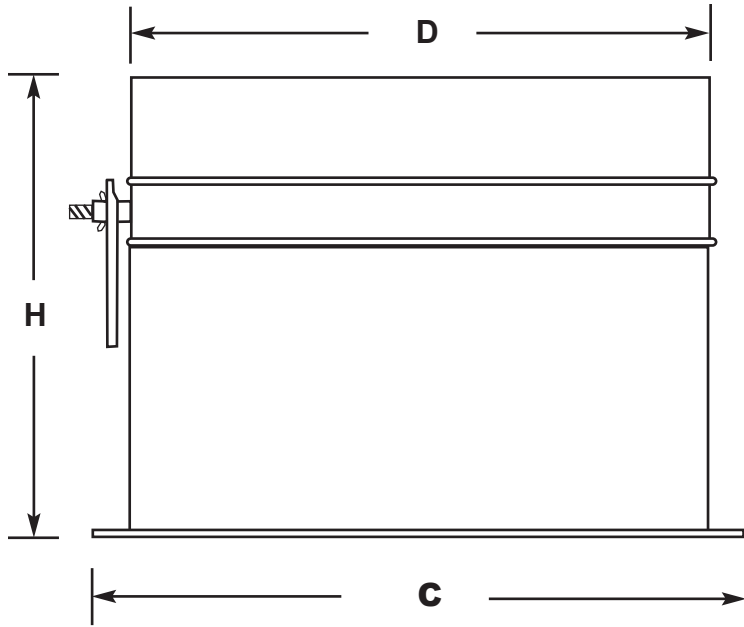




Air Distribution Corporation

Duct Takeoff Collar CATT / CATD



Models

- CATT - No Damper
- CATD - With Damper

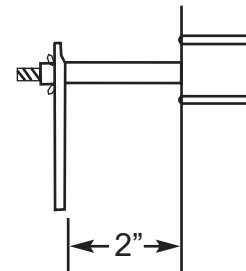
Construction

- 26 Gauge Galvanized Steel
- .125 Double Stick Neoprene Gasket

Size	H	H	C
D	CATT (No Damper)	CATD (With Damper)	O.D.
4 DIA	2	3.5	7
5 DIA	2	6	8
6 DIA	2	6	9
7 DIA	2	6	10
8 DIA	2	6	11
9 DIA	2	6	12
10 DIA	2	6	13
12 DIA	2	6	15
14 DIA	2	6	17
16 DIA	2	6	19
18 DIA	2	6	21

Options

- 2" Shaft Extension Handle
Model SCATD



Units in Inches

Air Distribution Corporation reserves the right to change specifications, dimensions, and materials without notice.
www.Air-Distribution.com

MANUFACTURED BY: AIR DISTRIBUTION CORPORATION BROCKTON, MA

DWG NO.: