

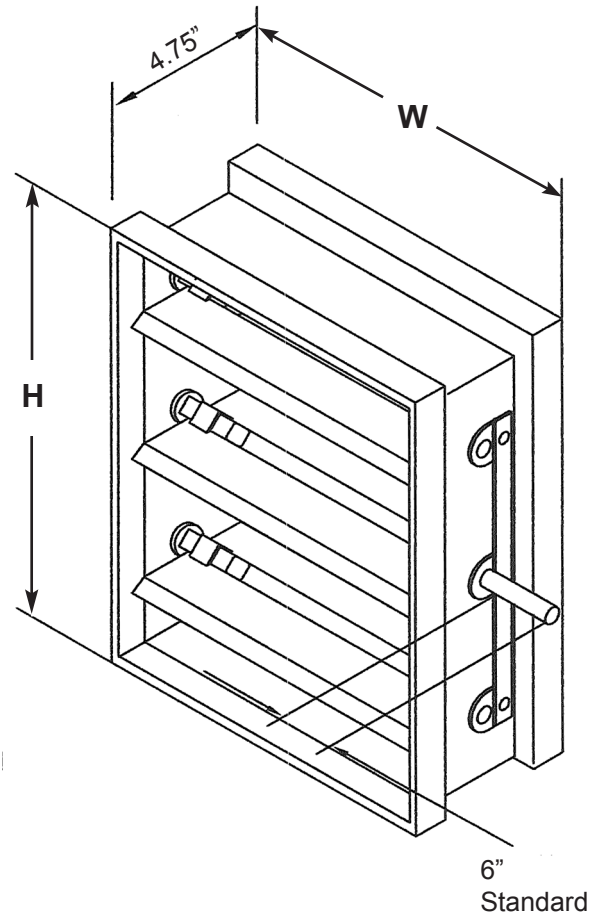


# Control Damper - Opposed Blade CD

Air Distribution Corporation

## Specifications

- Frame:** 16 Ga. galvanized steel with welded corners. Low profile (flat top and bottom) on dampers 10" high and under for maximum air flow
- Blades:** 16 Ga. galvanized steel with triple v-groove reinforcement
- Axles:** 1/2" square zinc plated steel stud
- Bearings:** Celcon
- Linkage:** Concealed in frame, out of airstream
- Drive Shaft:** 6" Long x 1/2" Dia.
- Sizing:** Unit is 1/4" undercut from ordered size  
Order width x height  
Minimum size: 6" x 6"  
Maximum size: 48" x 60" single panel  
Unlimited size with multiple section assembly



## Option Codes

- B - Blade edge seals - vinyl
- J - Stainless steel jamb seals
- JB - Jumper Bracket for joining 2 sections
- HQ - Locking hand quadrant

Units in Inches

Air Distribution Corporation reserves the right to change specifications, dimensions, and materials without notice.  
[www.Air-Distribution.com](http://www.Air-Distribution.com)

MANUFACTURED BY: AIR DISTRIBUTION CORPORATION BROCKTON, MA

DWG NO.: