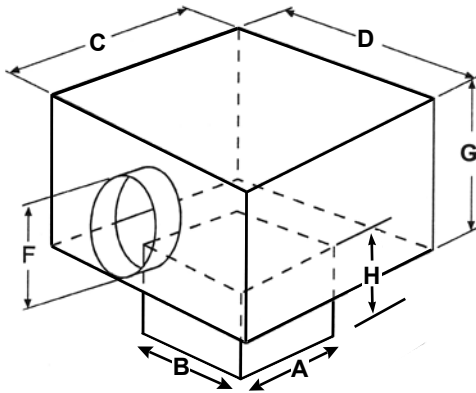




# Diffuser Connection Boot Transition DCBTR

Air Distribution Corporation



## Standard Construction

- 26 Gauge Galvanized Steel

## Option Codes

- 1/2" Internal Insulation

### DIMENSIONAL DATA

SIZE	A	B	C	D	G	H
6 X 6	6"	6"	A + 2"	B + 2"	F + 2"	2"
6 X 9	6"	9"	A + 2"	B + 2"	F + 2"	2"
9 X 9	9"	9"	A + 2"	B + 2"	F + 2"	2"
9 x 12	9"	12"	A + 2"	B + 2"	F + 2"	2"
12 X 12	12"	12"	A + 2"	B + 2"	F + 2"	2"
12 X 15	12"	15"	A + 2"	B + 2"	F + 2"	2"
15 X 15	15"	15"	A + 2"	B + 2"	F + 2"	2"
15 X 18	15"	18"	A + 2"	B + 2"	F + 2"	2"
18 X 18	18"	18"	A + 2"	B + 2"	F + 2"	2"

\* "F" Dimension to be specified. Must be less than or equal to "D" Dimension

Units in Inches

Air Distribution Corporation reserves the right to change specifications, dimensions, and materials without notice.  
www.Air-Distribution.com

MANUFACTURED BY: AIR DISTRIBUTION CORPORATION BROCKTON, MA

DWG NO.: