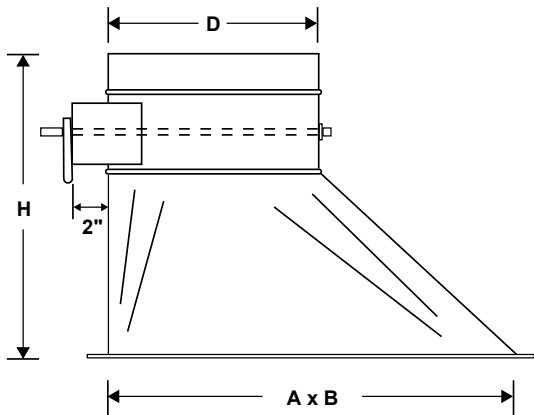
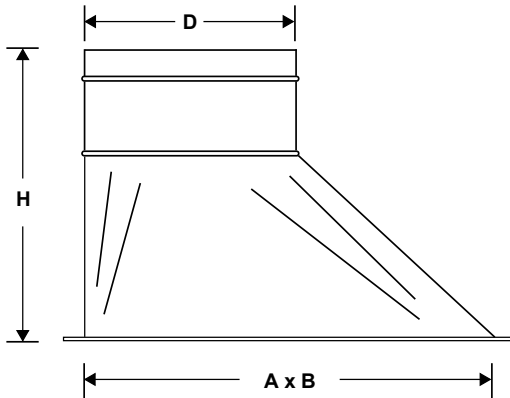




Air Distribution Corporation

Duct Takeoff Collar HET / SHETD



HET Construction

- 26 Gauge Galvanized Steel Sizes 4" thru 16"
- 24 Gauge Galvanized Steel Sizes 18" thru 16"
- 1/8" Thick Double Stick Gasket

SHETD Construction

- 26 Gauge Galvanized Steel Sizes 4" thru 16"
- 24 Gauge Galvanized Steel Sizes 18" thru 16"
- 1/8" Thick Double Stick Gasket
- 3/8" Square Damper Shaft
- 2" Heavy Standoff Bracket With Locking Handle
- Nylon Damper Bushing
- 24 Gauge Damper Blade

D	A x B	H
4 DIA	10 x 5	11.5
5 DIA	10 x 5	11.5
6 DIA	12 x 6	11.5
7 DIA	12 x 6	11.5
8 DIA	12 x 6	11.5
9 DIA	15 x 6	12.5
10 DIA	16 x 6.75	12.5
12 DIA	18 x 8.5	12.5
14 DIA	20 x 9.5	12.5
16 DIA	24 x 12	16
18 DIA	28 x 16	16
20 DIA	28 x 16	16
22 DIA	34 x 20	16
24 DIA	34 x 20	16

Options

- 24 Gauge Construction Sizes 4" thru 16"
 - 24GHET - No Damper
 - S24GHETD - With Damper

Air Distribution Corporation reserves the right to change specifications, dimensions, and materials without notice.

Manufactured By: Air Distribution Corporation

Drawing Date: 11/18/2025