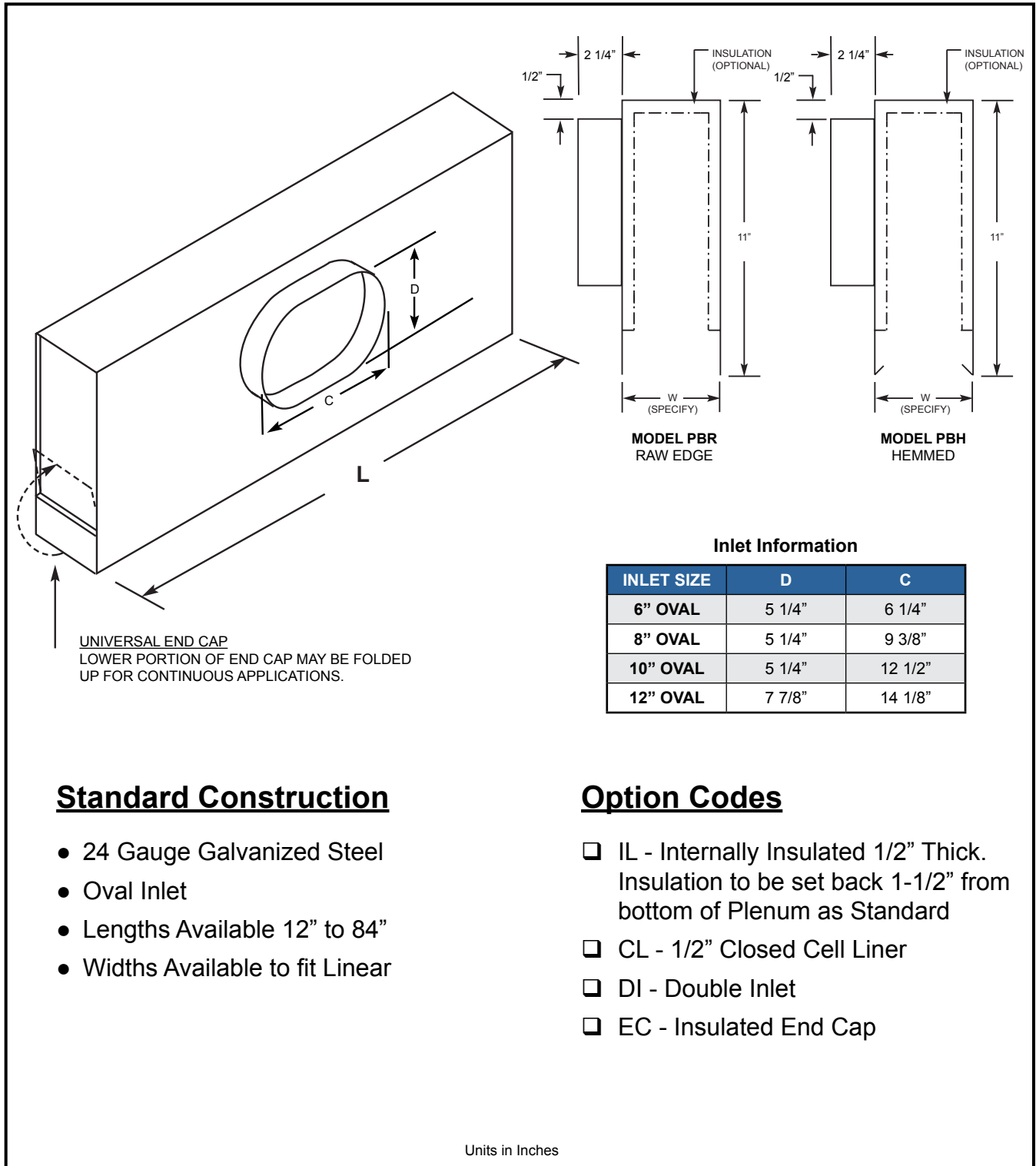




Air Distribution Corporation

Linear Plenum PB



Standard Construction

- 24 Gauge Galvanized Steel
- Oval Inlet
- Lengths Available 12" to 84"
- Widths Available to fit Linear

Option Codes

- IL - Internally Insulated 1/2" Thick. Insulation to be set back 1-1/2" from bottom of Plenum as Standard
- CL - 1/2" Closed Cell Liner
- DI - Double Inlet
- EC - Insulated End Cap

Air Distribution Corporation reserves the right to change specifications, dimensions, and materials without notice.
www.Air-Distribution.com

MANUFACTURED BY: AIR DISTRIBUTION CORPORATION BROCKTON, MA

DWG NO.: