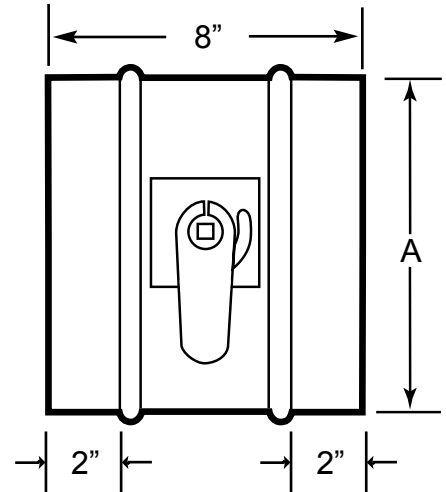
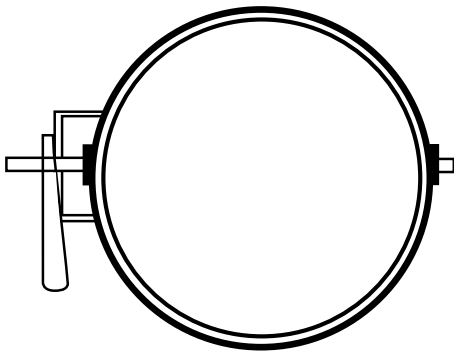




Air Distribution Corporation

# Round Balancing Damper **RBD**



*Maximum Velocity 1700 FPM*

## **Standard Construction**

- A Dimension is small end, 1/8" undercut
- 3/8" Square Damper Shaft
- 3/8" Manual Locking Quadrant with 2" standoff
- Sizes 4" thru 16", frame 24 gauge, blade 24 gauge
- Sizes 18" thru 24", frame 22 gauge, blade 20 gauge
- Sizes 26" thru 36", frame 20 gauge, blade 18 gauge with stiffeners

Units in Inches

Air Distribution Corporation reserves the right to change specifications, dimensions, and materials without notice.  
[www.Air-Distribution.com](http://www.Air-Distribution.com)

MANUFACTURED BY: AIR DISTRIBUTION CORPORATION BROCKTON, MA

DWG NO.: