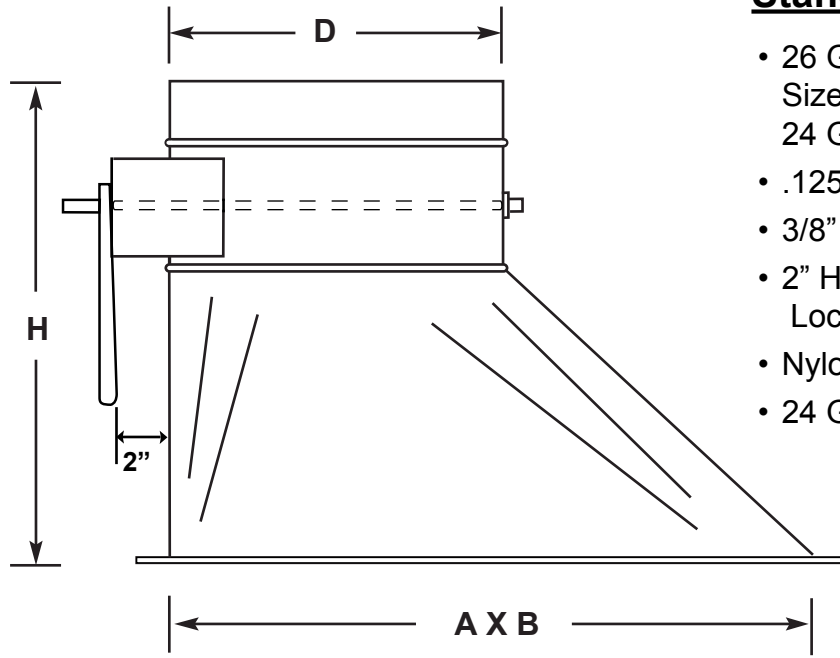




Air Distribution Corporation

# Duct Takeoff Collar SHETD



## Standard Construction

- 26 Gauge Galvanized Steel  
Sizes 4" thru 16"  
24 Gauge for Sizes 18" thru 26"
- .125 Double Stick Neoprene Gasket
- 3/8" Square Damper Shaft
- 2" Heavy Standoff Bracket with  
Locking Handle
- Nylon Damper Bushing
- 24 Gauge Damper Blade

D	A X B	H
4 DIA	10 X 5	11.5
5 DIA	10 X 5	11.5
6 DIA	12 X 6	11.5
7 DIA	12 X 6	11.5
8 DIA	12 X 6	11.5
9 DIA	15 X 6	12.5
10 DIA	16 X 6.75	12.5
12 DIA	18 X 8.5	12.5
14 DIA	20 X 9.5	12.5
16 DIA	24 X 12	16
18 DIA	28 X 16	16
20 DIA	28 X 16	16
22 DIA	34 X 20	16
24 DIA	34 X 20	16
26 DIA	36 X 24	16

## Options

- 24 Gauge Construction  
Model S24GHETD

Units in Inches

Air Distribution Corporation reserves the right to change specifications, dimensions, and materials without notice.  
www.Air-Distribution.com

MANUFACTURED BY: AIR DISTRIBUTION CORPORATION BROCKTON, MA

DWG NO.: