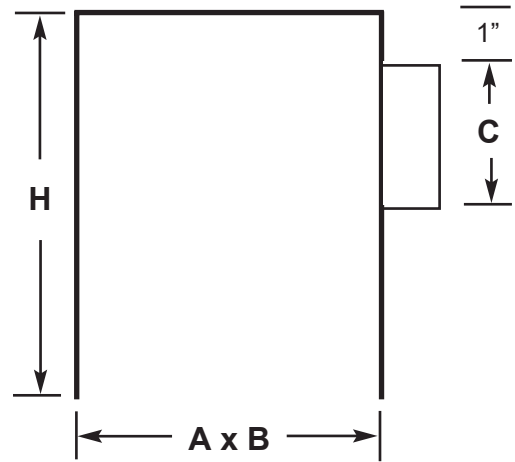
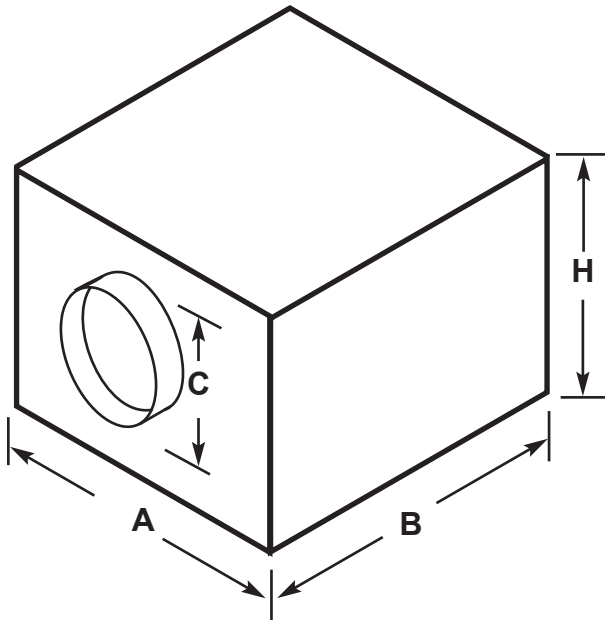




Air Distribution Corporation

Side Inlet Boot SIB



Standard Construction

- 26 Gauge Galvanized Steel
- 2 1/4" Collar Depth

Option Codes

- IL - Internally Insulated 1/2" Thick. Insulation to be set back 1-1/2" from bottom of Boot as Standard
- CL - 1/2" Closed Cell Liner
- FL - Flanged Bottom
- LE6 - 6" Long Large End Collar

Material Options

- Aluminum Construction
Model AA-SIB

Units in Inches

Air Distribution Corporation reserves the right to change specifications, dimensions, and materials without notice.
www.Air-Distribution.com

MANUFACTURED BY: AIR DISTRIBUTION CORPORATION BROCKTON, MA

DWG NO.: