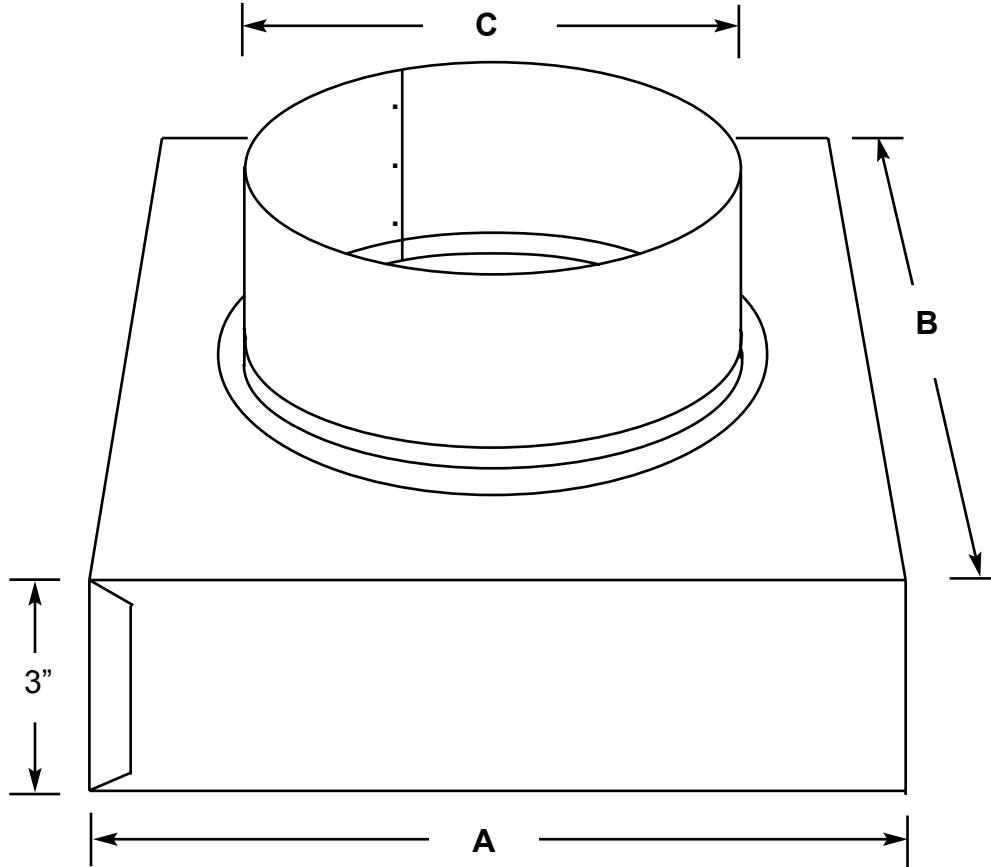




Air Distribution Corporation

Transition SRAC



A & B are specified sizes.
C = minus 1/8" from round diameter.

Standard Construction

- 26 Gauge Galvanized Steel
- 3" Deep Box Height
- 2" Collar Height

Option Codes

- Flanged Bottom 1" (Model SRAC-FL)
- Special Height = _____

Material Options

- Aluminum Construction
Model ASRAC

Units in Inches

Air Distribution Corporation reserves the right to change specifications, dimensions, and materials without notice.
www.Air-Distribution.com

MANUFACTURED BY: AIR DISTRIBUTION CORPORATION BROCKTON, MA

DWG NO.: