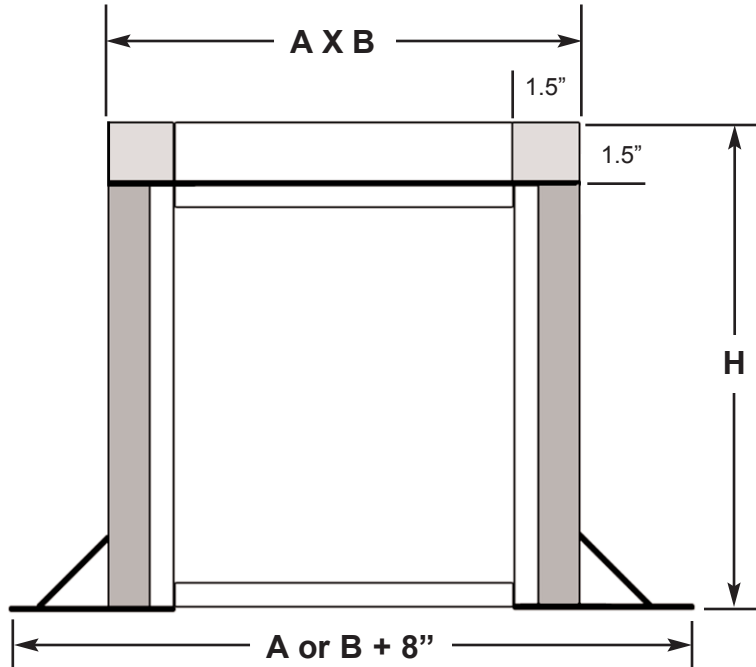




Air Distribution Corporation

Canted Roof Curb SSC



Standard Construction

- 18 Gauge Galvanized Steel
- Wood Nailer
- Welded Shell and Base
- 1" Thick Insulation, 3 Lb.
- Standard Height = 12"

Option Codes

- DT - Damper Tray
- Special Height = _____

Material Options

- Aluminum Construction
Model ASC

QTY	A	B	MODEL	HEIGHT (H)	DAMPER TRAY C X D	TAG

Units in Inches

Air Distribution Corporation reserves the right to change specifications, dimensions, and materials without notice.
www.Air-Distribution.com

MANUFACTURED BY: AIR DISTRIBUTION CORPORATION BROCKTON, MA

DWG NO.: