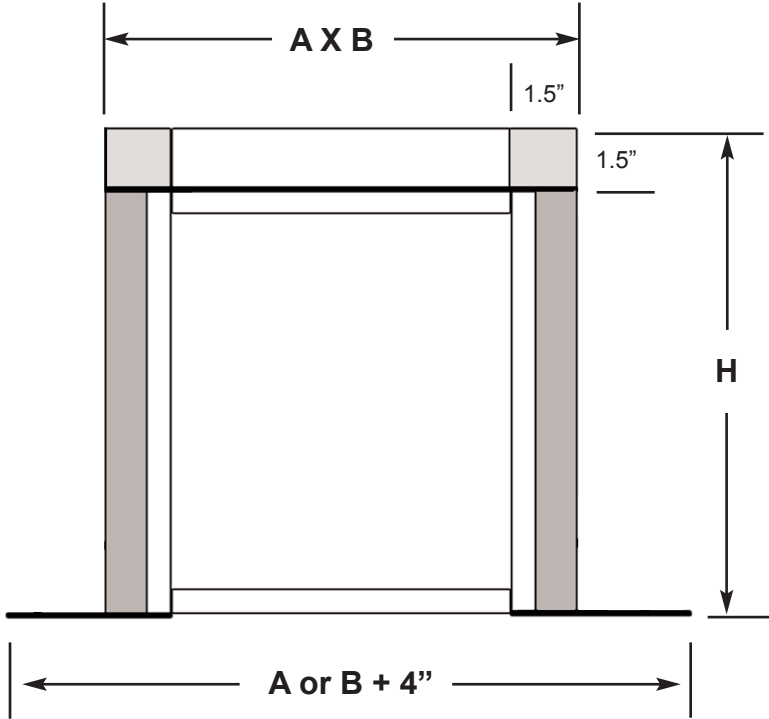




Self Flashing Roof Curb  
**SSF**

Air Distribution Corporation



**Standard Construction**

- 18 Gauge Galvanized Steel
- Wood Nailers
- Welded Shell and Base
- 1" Thick Insulation, 3 Lb.
- Standard Height = 12"

**Option Codes**

- DT - Damper Tray
- Special Height = \_\_\_\_\_

**Material Options**

- Aluminum Construction  
Model ASF

QTY	A	B	MODEL	HEIGHT (H)	DAMPER TRAY C X D	TAG

Units in Inches

Air Distribution Corporation reserves the right to change specifications, dimensions, and materials without notice.  
[www.Air-Distribution.com](http://www.Air-Distribution.com)

MANUFACTURED BY: AIR DISTRIBUTION CORPORATION BROCKTON, MA

DWG NO.: