

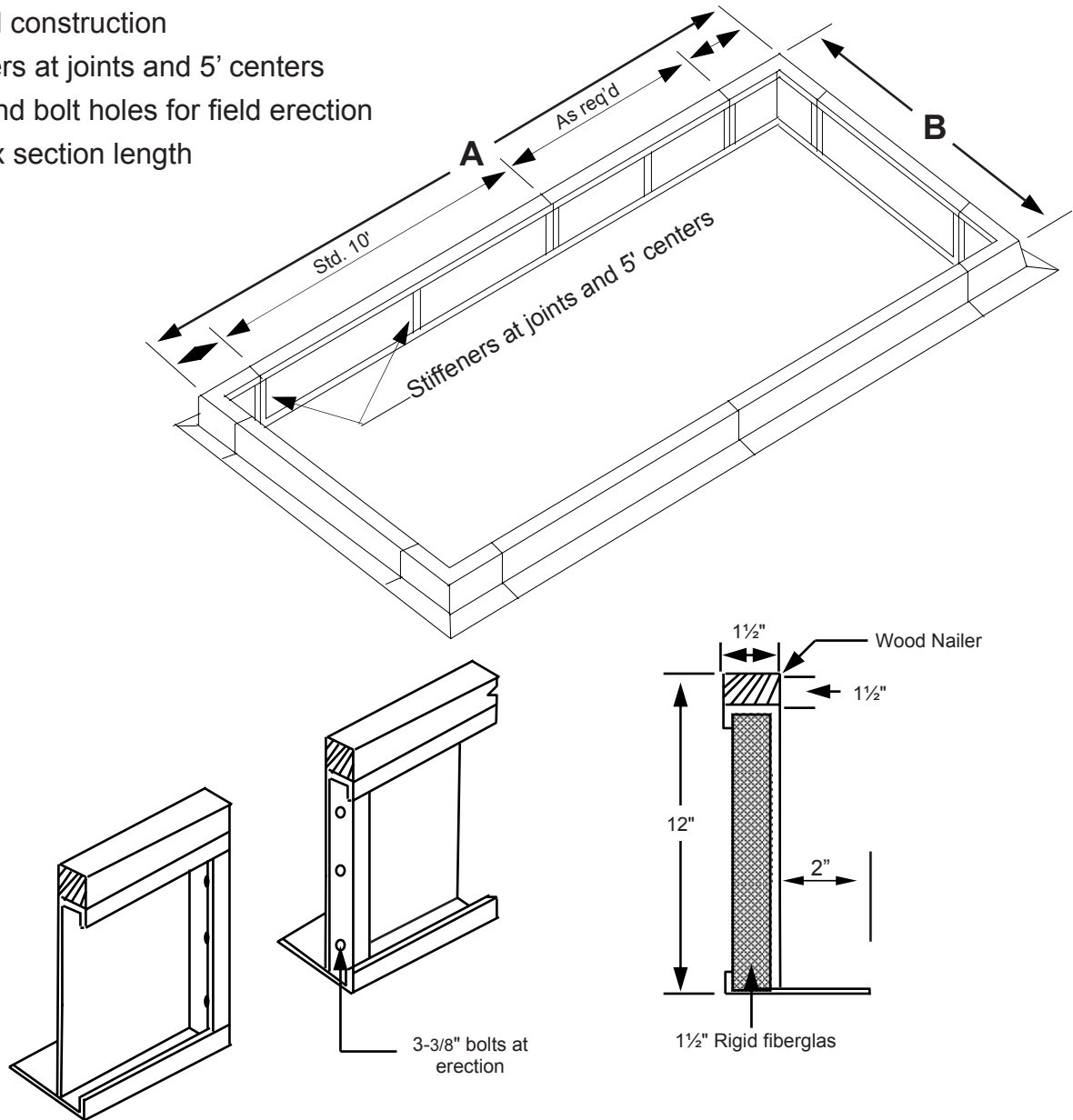


Air Distribution Corporation

# Oversized Self Flashing Roof Curb OSSF

## Standard Construction

- 14 Gauge Galvanized Steel
- Standard Height = 12"
- 1.5" Thick Insulation, 3 Lb.
- Welded construction
- Stiffeners at joints and 5' centers
- Bolts and bolt holes for field erection
- 10' max section length



Units in Inches

Air Distribution Corporation reserves the right to change specifications, dimensions, and materials without notice.  
[www.Air-Distribution.com](http://www.Air-Distribution.com)

MANUFACTURED BY: AIR DISTRIBUTION CORPORATION CANTON, MA

DWG NO.: