

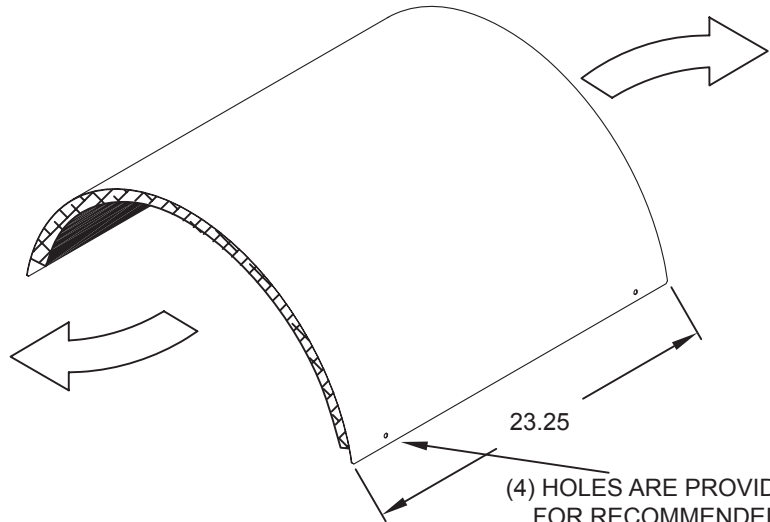


Air Distribution Corporation

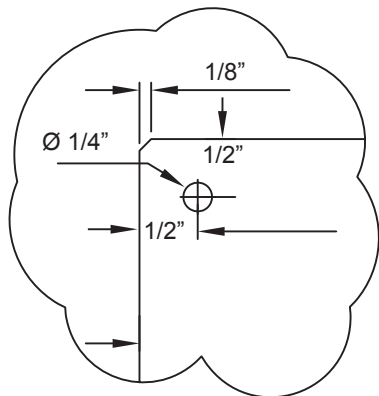
Curved Light/Sound Shield CLS

Standard Construction

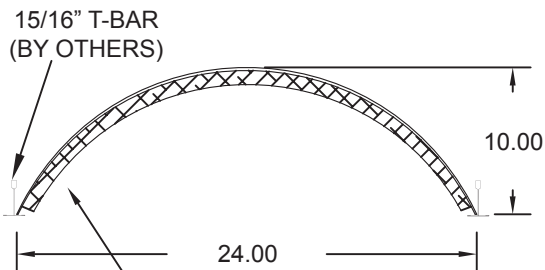
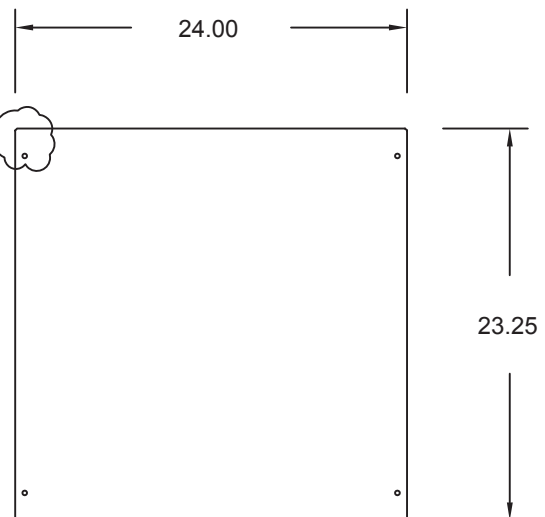
- 22 Gauge Galvanized Steel
- 1/2" Fiberglass Insulation with Black Facing
- 10" Installed Height
- Factory Curved



(4) HOLES ARE PROVIDED FOR RECOMMENDED INSTALLATION OF WIRING PANELS TO TEE BARS OR FRAMING



DETAILED VIEW ON CORNER



INSULATED UNDERSIDE

Units in Inches

Air Distribution Corporation reserves the right to change specifications, dimensions, and materials without notice.
www.Air-Distribution.com

MANUFACTURED BY: AIR DISTRIBUTION CORPORATION BROCKTON, MA

Revised 3/1/2019

DWG NO.: